

**GENERAL FEATURES**

- Designed with AGM (Absorbent Glass Mat) technology, equipping high performance plates and electrolyte, the 6GFM200 is a general-purpose VRLA battery with a lifespan of 10 years for float charging at 25°C
- Using oxygen recombination technology, maintenance-free.
- ABS material: enhanced strength of the battery container. (Flame-retardant ABS is optional).



**APPLICATIONS**

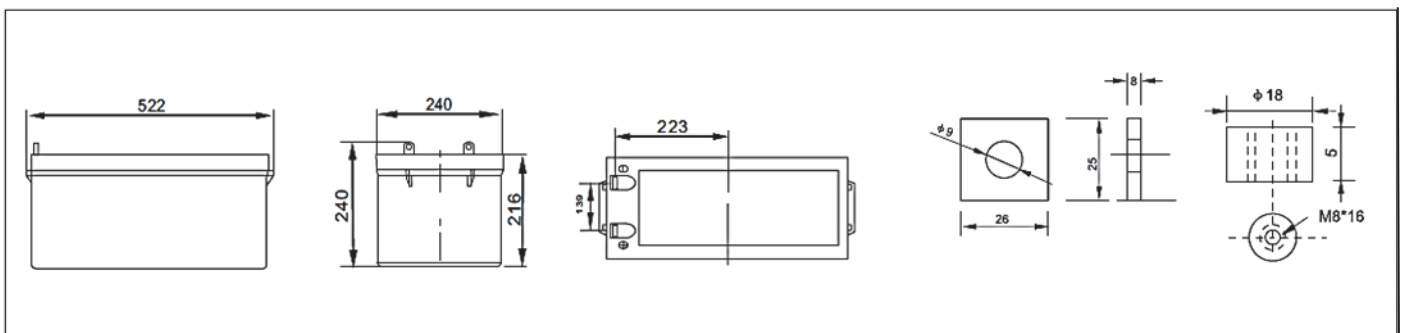
- All purpose
- Uninterruptable Power Supply (UPS)
- Electric Power System (EPS)
- Emergency backup system
- Emergency light
- Railway Signal
- Aircraft signal
- Alarm and security system
- Electronic apparatus and equipment
- Communication power supply
- DC power supply
- Auto control system



**SPECIFICATIONS**

<b>Model</b>	Nominal Voltage	12V		
	Rated Capacity (10Hr rate)	200Ah		
<b>Dimensions</b>	Length	Width	Height	Total Height
	522mm (20.55")	240mm (9.45")	216mm (8.50")	240mm (9.45")
<b>Weight</b>	Approx. 58.2 kg ± 3%			
<b>Capacity @25°C (77°F)</b>	10 hour (20A,10.8V)	5 Hour ( 32A,10.8V)	3 Hour ( 50A,10.8V)	1 Hour (120A,10.5V)
	200Ah	160Ah	150Ah	120Ah
<b>Internal Resistance</b>	Fully charged at 25°C, a approx. 2.8mΩ			
<b>Max. Discharge Current</b>	1600A (5 Sec.)			
<b>Capacity Affected by Temp. (10Hr)</b>	40°C (104°F)	25°C (77°F)	0°C (32°F)	-15°C (5°F)
	112%	100%	80%	68%
<b>Self Discharge Rate</b>	After 3 months Storage	After 6 months Storage	After 12 months Storage	
	91%	82%	64%	
<b>Charge Method</b>	Cycle Use		Float Charging	
	14.1-14.4V (Initial current less than 80A) @25°C (77°F)		13.5-13.8V@25°C (77°F)	

**DIMENSIONS & TERMINALS**



PERFORMANCE CHARACTERISTICS

Constant Current (Amp.) and Constant Power (Watt) Discharge Table @25°C (77°F)

Cell Voltage	Time	5min	10min	15min	30min	1hr	2hr	3hr	4hr	5hr	8hr	10hr	20hr
9.60V	A	640.60	422.00	340.20	228.00	120.00	70.00	51.40	40.00	33.00	23.40	21.00	11.30
	W	6611.00	4507.00	3647.60	2451.50	1296.00	768.60	572.10	450.00	378.50	268.20	242.60	131.90
10.20V	A	620.40	380.80	320.40	218.00	112.80	66.80	50.00	39.00	32.40	22.80	20.60	11.00
	W	6625.90	4252.00	3585.30	2447.30	1275.80	769.90	579.00	453.50	377.70	266.80	242.00	129.00
10.50V	A	600.20	340.60	280.20	204.00	109.20	65.20	48.80	38.40	32.00	22.60	20.20	11.00
	W	6554.20	3874.70	3197.60	2347.60	1264.50	756.20	568.60	449.30	375.20	265.80	239.00	130.00
10.80V	A	578.40	321.00	260.40	188.00	105.60	63.60	47.60	37.80	31.20	22.00	20.00	10.80
	W	6489.60	3701.80	2999.80	2178.20	1229.20	744.90	561.20	446.30	368.80	260.70	237.70	128.60
11.10V	A	559.00	300.80	240.40	168.00	102.00	62.00	46.00	36.80	30.40	21.40	19.00	10.20
	W	6339.10	3483.30	2798.30	1965.60	1199.50	732.80	546.50	438.30	362.80	256.30	229.40	123.60

