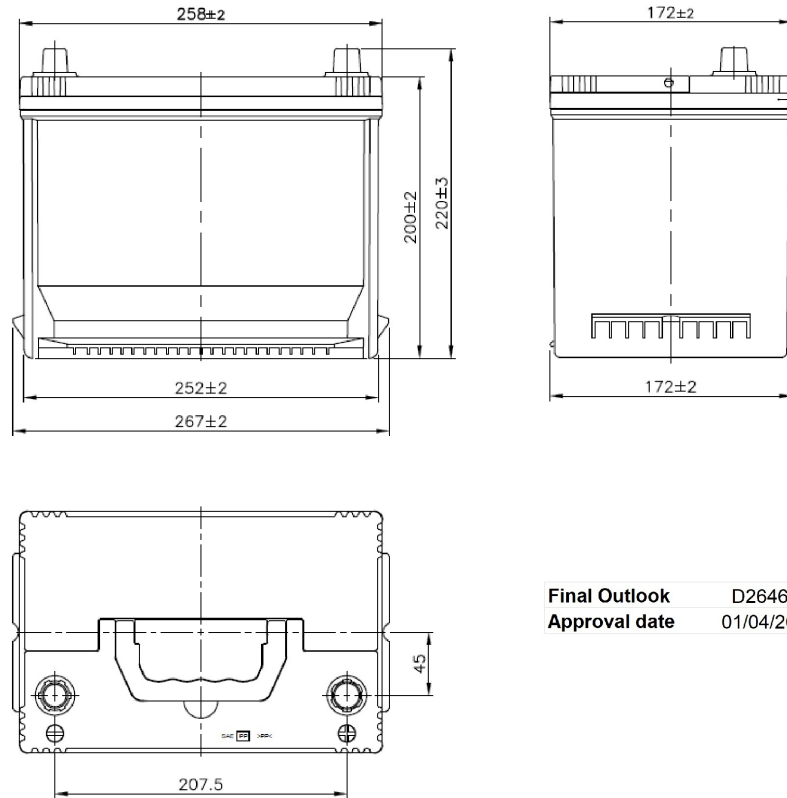


Central Article Code: D26063C46-A
 Local Code: EA754

Created: 24/02/2020
 Modified: 10/01/2023



Final Outlook D2646-A
 Approval date 01/04/2021

PERFORMANCES

Voltage (V):	12 V
C20 (Ah):	75.0 20 h
Cranking (A):	630 EN
Charge:	WET
Technology:	Vented/Flooded
Grid:	Ca/Ca
Vibration:	V1 (30Hz+/-2Hz/3g/2h)
Endurance:	E1 (180 cycles@25%)

STD. DIMENSIONS

Length (mm ± 2):	270
Width (mm ± 2):	173
Height (mm ± 2):	222
Total Weight (kg ± 5%):	17.40

All figures show nominal values. Tolerances are according to EN50342 and applicable European Regulations.

CONTAINER

Type:	D26 BLACK
Hold Down:	Korean B1+B6
H.D. Adapter:	No

COVER

Type:	Double with Integrat BLACK
Polarity:	ETN 0
Terminals:	EN taper post
Terminal Adapter:	No
SOCI:	No
Ventilation:	Central
Filter:	2 Filters
Lateral Plug:	No

PLUGS

Type:	1 x Vent Sealed (JIS) BLACK
-------	----------------------------------

HANDLES

Type:	1 x Integrated BLACK
-------	---------------------------

OTHERS

Degassing Tube:	No
-----------------	----

C.O. from D26063C03-A (Grey to Black)