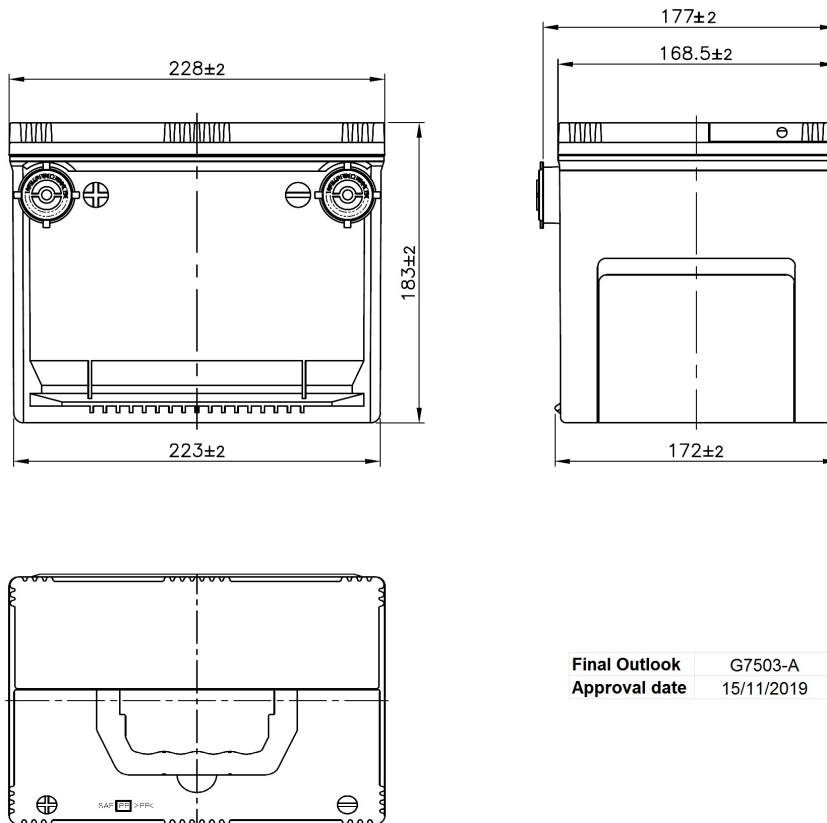


Central Article Code: G75061C03-A
 ETN Code or Other: GB 75-84

Created: 07/11/2019
 Modified: 21/11/2019



Final Outlook	G7503-A
Approval date	15/11/2019

PERFORMANCES

Voltage (V):	12 V
C20 (Ah):	55.0 20 h
Rc (min):	0
Cranking (A):	620 EN
Vibration:	V1 (30Hz+/-2Hz/3g/2h)
Endurance:	E1 (180 cycles@25%)
Charge:	WET
Technology:	Vented/Floded
Grid:	Ca/Ca

CONTAINER

Type:	G75 BLACK
Hold Down:	B7
H.D. Adapter:	No

COVER

Type:	Flat/Press BLACK
Polarity:	ETN 1
Terminals:	SAE S 3/8" side Terminal
Terminal Adapter:	No
SOCI:	No
Ventilation:	Central
Filter:	2 Filters
Lateral Plug:	No

WEIGHT AND STD. DIMENSIONS

Battery Weight (kg ± 5%):	14.2
Volume acid (l ± 5%):	3.7
Length (mm ± 2):	230
Width (mm ± 2):	180
Height (mm ± 2):	186

PLUGS

Type:	1 x Vent Sealed BLACK
-------	----------------------------

HANDLES

Type:	None
-------	------

OTHERS

Degassing Tube:	No
-----------------	----

All figures show nominal values. Tolerances are according to EN50342 and applicable European Regulations.