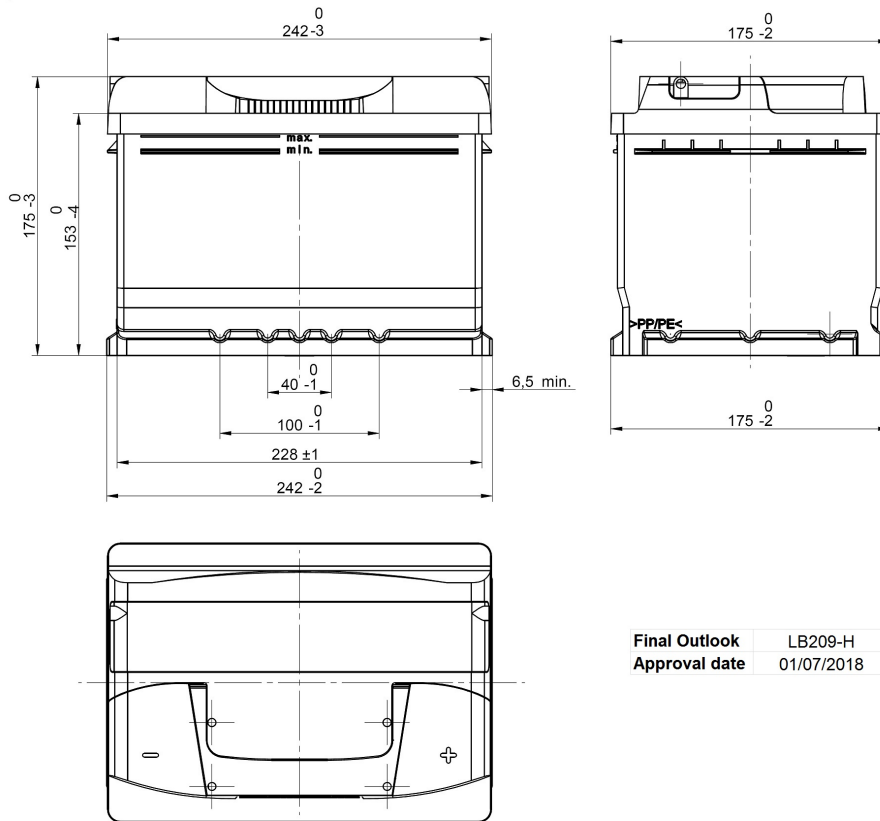


Central Article Code: LB2054C09-H  
 Local Code:

Created: 10/05/2018  
 Modified: 31/07/2020



Final Outlook LB209-H  
 Approval date 01/07/2018

## PERFORMANCES

Voltage (V):	12 V	
C20 (Ah):	60.0	20 h
Cranking (A):	540	EN
Charge:	WET	
Technology:	Vented/Flooded	
Grid:	Ca/Ca	

## STD. DIMENSIONS

Length (mm ± 2):	242
Width (mm ± 2):	175
Height (mm ± 2):	175

All figures show nominal values. Tolerances are according to EN50342 and applicable European Regulations.

## CONTAINER

Type:	LB2	BLACK
Hold Down:	B13	
H.D. Adapter:	No	

## COVER

Type:	NPR	BLACK
Polarity:	ETN 0	
Terminals:	EN taper post	
Terminal Adapter:	No	
SOCI:	No	
Ventilation:	Central	
Filter:	2 Filters	
Lateral Plug:	Standard shape	Right side BLACK

## PLUGS

Type:	1 x NPR (Manifold)	BLACK
-------	--------------------	-------

## HANDLES

Type:	1 x NPR (Standard)	BLACK
-------	--------------------	-------

## OTHERS

Degassing Tube:	No
-----------------	----