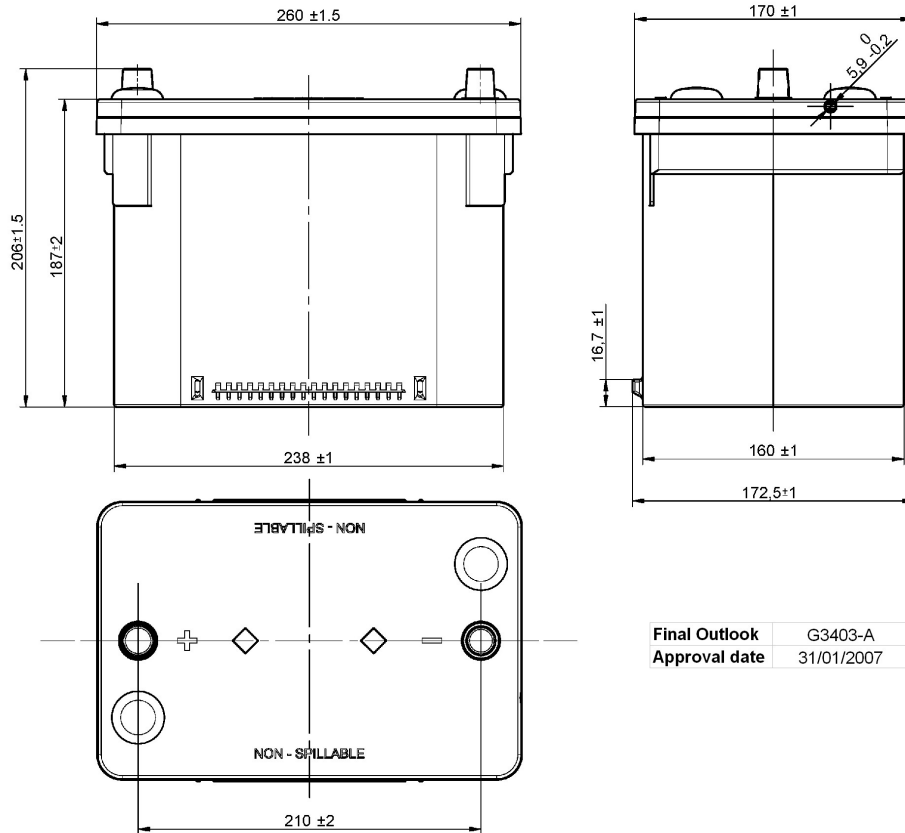


Central Article Code: G34081M03-A  
 Local Code: EK508

Created: 06/09/2005  
 Modified: 03/05/2018



Final Outlook	G3403-A
Approval date	31/01/2007

## PERFORMANCES

Voltage (V):	12 V	
C20 (Ah):	50.0	20 h
Cranking (A):	800	EN
Charge:	CHARGED	
Technology:	Orbital	
Grid:	Pb-Sn	
Vibration:	Manufactured Specific	
Endurance:	Manufactured Specific	

## STD. DIMENSIONS

Length (mm ± 2):	260
Width (mm ± 2):	173
Height (mm ± 2):	206
Total Weight (kg ± 5%):	17.50

All figures show nominal values. Tolerances are according to EN50342 and applicable European Regulations.

## CONTAINER

Type:	G34	BLACK
Hold Down:	B7	
H.D. Adapter:	No	

## COVER

Type:	Double without Hand	BLACK
Polarity:	ETN 9	
Terminals:	EN taper post	
Terminal Adapter:	No	
SOCI:	No	
Ventilation:	Central	
Filter:	1 Filter	
Lateral Plug:	No	

## PLUGS

Type:	6 x Valve+Cover	BLACK
-------	-----------------	-------

## HANDLES

Type:	None
-------	------

## OTHERS

Degassing Tube:	No
-----------------	----