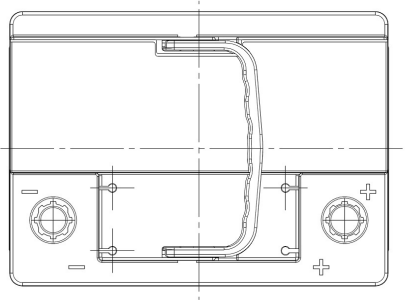
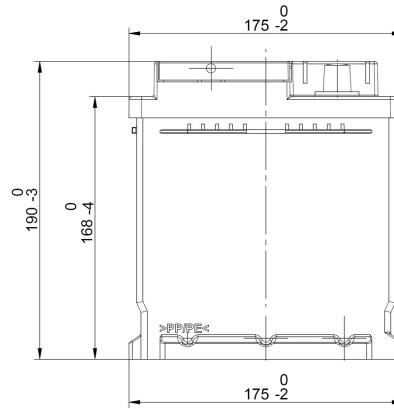
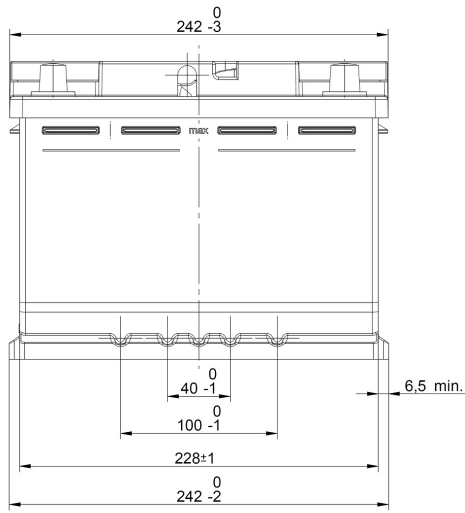


Central Article Code: L02067C69-C
 Local Code: EL600

Created: 30/01/2014
 Modified: 01/09/2021



Final Outlook	L0269-C
Approval date	15/02/2014

PERFORMANCES

Voltage (V):	12 V
C20 (Ah):	60.0 20 h
Cranking (A):	640 EN
Charge:	WET
Technology:	Vented/Flooded
Grid:	Ca/Ca
Vibration:	Manufactured Specific
Endurance:	VW Requirement (MHF)

CONTAINER

Type:	L02 BLACK
Hold Down:	B13
H.D. Adapter:	No

COVER

Type:	Double with Integrat BLACK
Polarity:	ETN 0
Terminals:	EN taper post
Terminal Adapter:	No
SOCI:	No
Ventilation:	Central
Filter:	1 Filter at Left
Lateral Plug:	No

STD. DIMENSIONS

Length (mm ± 2):	242
Width (mm ± 2):	175
Height (mm ± 2):	190
Total Weight (kg ± 5%):	17.00

PLUGS

Type:	1 x Vent Sealed PSL-OE ha BLACK
-------	--------------------------------------

HANDLES

Type:	1 x PSL OE Integrated BLACK
-------	----------------------------------

OTHERS

Degassing Tube:	No
-----------------	----

All figures show nominal values. Tolerances are according to EN50342 and applicable European Regulations.