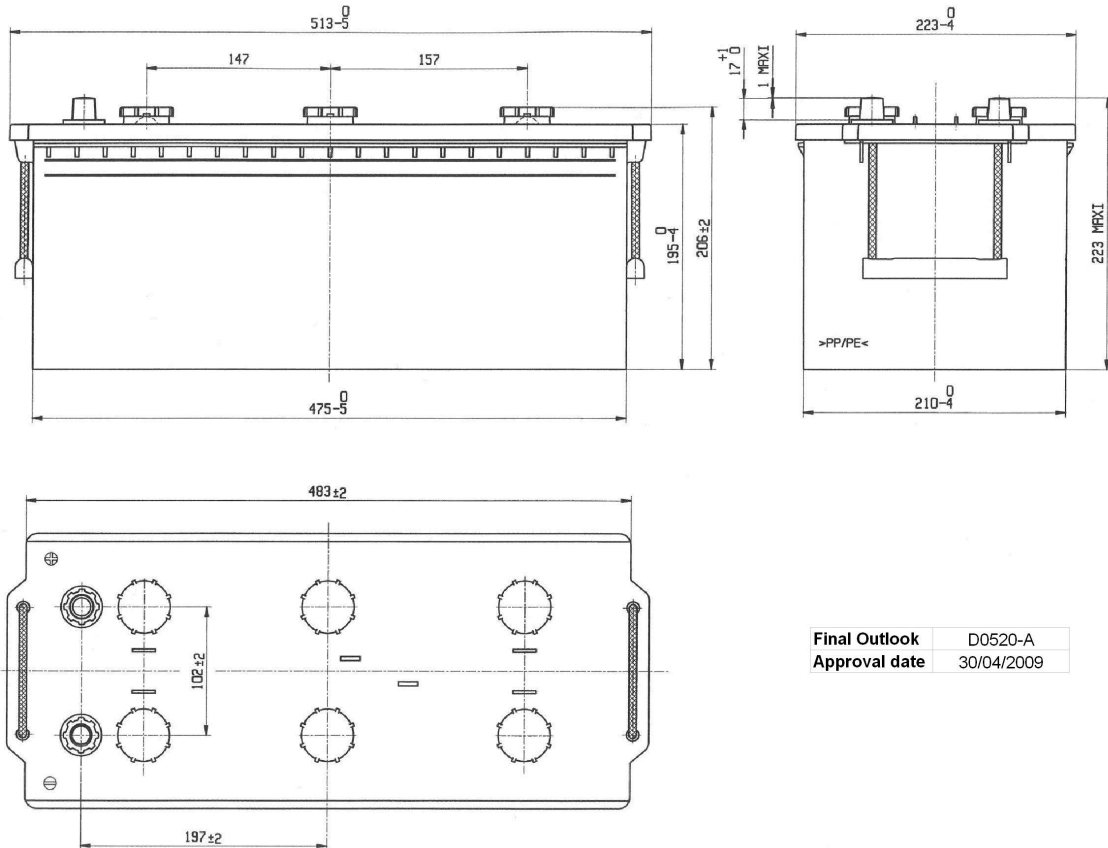


Central Article Code: D05090R20-A
 Local Code: ET1300

Created: 31/03/2009
 Modified: 05/09/2018



Final Outlook	D0520-A
Approval date	30/04/2009

PERFORMANCES

Voltage (V):	12 V	
C20 (Ah):	180.0	20 h
Cranking (A):	900	EN
Charge:	WET	
Technology:	Semi-Traction	
Grid:	4% Sb	
Vibration:	V3 (30Hz+/-2Hz/6g/20h)	
Endurance:	300 cycles@75%	

STD. DIMENSIONS

Length (mm ± 2):	513
Width (mm ± 2):	223
Height (mm ± 2):	223
Total Weight (kg ± 5%):	49.70

All figures show nominal values. Tolerances are according to EN50342 and applicable European Regulations.

CONTAINER

Type:	D05	WHITE
Hold Down:	B0	
H.D. Adapter:	No	

COVER

Type:	Flat/Screw	WHITE
Polarity:	ETN 3	
Terminals:	EN taper post	
Terminal Adapter:	No	
SOCI:	No	
Ventilation:	Independent	
Filter:	No	
Lateral Plug:	No	

PLUGS

Type:	6 x M27(STS)	RED
-------	--------------	-----

HANDLES

Type:	2 x Rope (Rigid holder)	BLACK
-------	-------------------------	-------

OTHERS

Degassing Tube:	No
-----------------	----