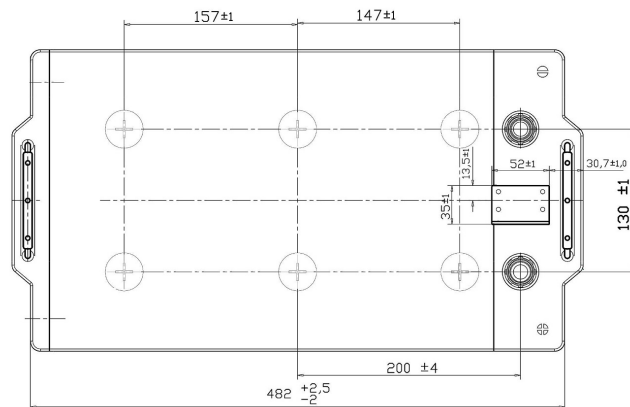
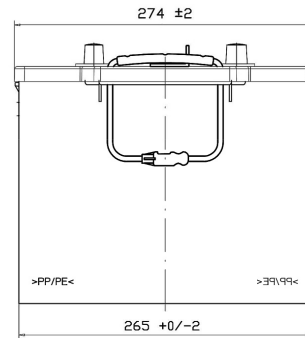
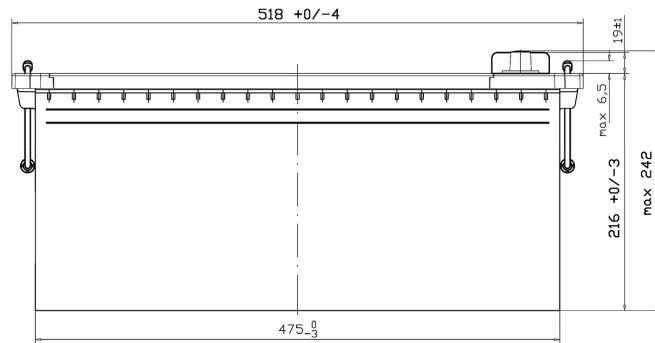


Central Article Code: D06114W26-A
 Local Code: EX2253

Created: 29/11/2018
 Modified: 31/07/2020



Final Outlook D0626-A
 Approval date 15/09/2019

PERFORMANCES

| | | |
|---------------|-----------------------|------|
| Voltage (V): | 12 V | |
| C20 (Ah): | 220.0 | 20 h |
| Cranking (A): | 1150 | EN |
| Charge: | WET | |
| Technology: | Vented/Flooded | |
| Grid: | Hybrid | |
| Vibration: | Manufactured Specific | |
| Endurance: | Daimler Requirement | |

STD. DIMENSIONS

| | |
|-------------------------|-------|
| Length (mm ± 2): | 518 |
| Width (mm ± 2): | 274 |
| Height (mm ± 2): | 240 |
| Total Weight (kg ± 5%): | 60.10 |

All figures show nominal values. Tolerances are according to EN50342 and applicable European Regulations.

CONTAINER

| | | |
|---------------|-----|-------|
| Type: | D06 | BLACK |
| Hold Down: | B0 | |
| H.D. Adapter: | No | |

COVER

| | | |
|-------------------|---------------|-------|
| Type: | Flat/Screw | BLACK |
| Polarity: | ETN 3 | |
| Terminals: | EN taper post | |
| Terminal Adapter: | No | |
| SOCI: | No | |
| Ventilation: | Central | |
| Filter: | 2 Filters | |
| Lateral Plug: | No | |

PLUGS

| | | |
|-------|----------------|-------|
| Type: | 6 x M27 Kamina | BLACK |
|-------|----------------|-------|

HANDLES

| | | |
|-------|---------------------|-------|
| Type: | 2 x Rope (Flexible) | BLACK |
|-------|---------------------|-------|

OTHERS

| | |
|-----------------|----|
| Degassing Tube: | No |
| Terminal Spacer | |